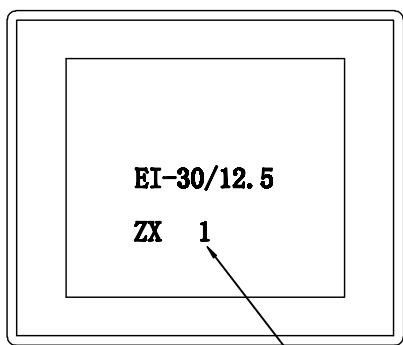
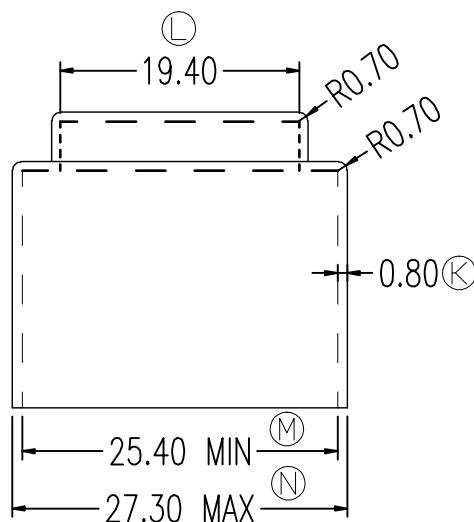
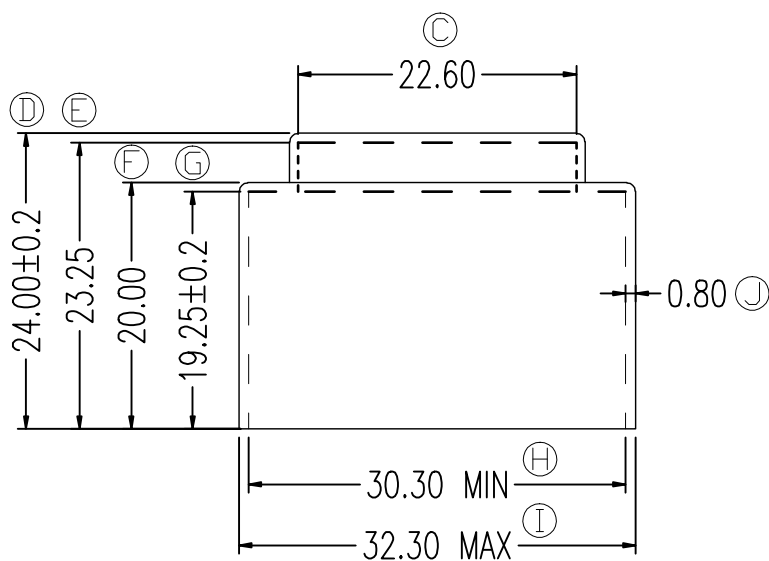
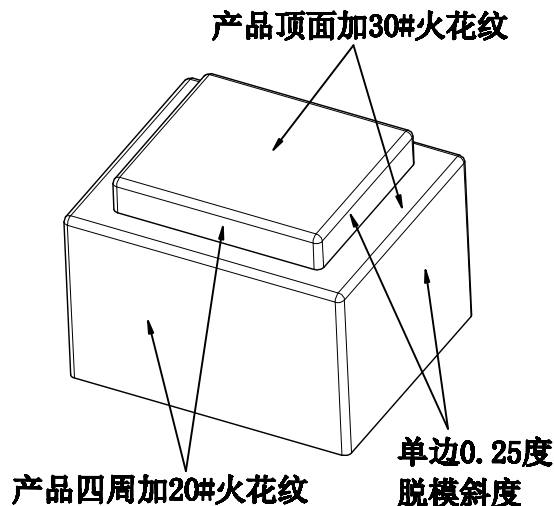
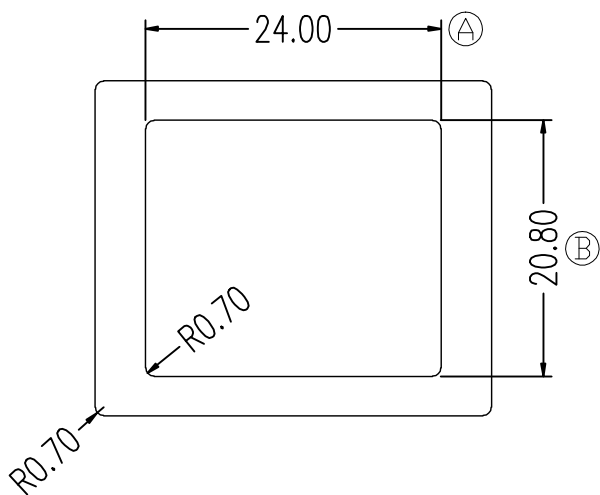
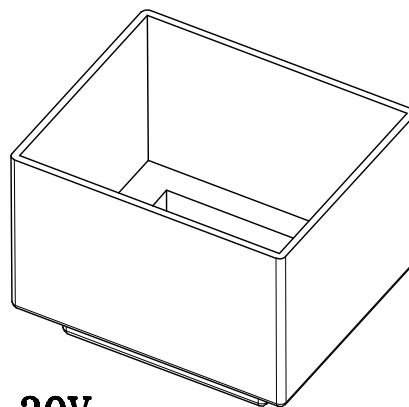


ZX-C095



模号



对应ZX-30V

REV.	REVISIONS	REC.	DATE	REV.	REVISIONS	REC.	DATE
1				4			
2				5			
3				6			
DRAWN & DRAFTED BY		LIU WEI QIANG		TOLERANCES		ANGLE: ±1°	
CHECKED & APPROVED BY		LIN JUN		0<L≤4 ±0.1		TITLE: EI-30X12.5 CASE	
				4<L≤16 ±0.2		BOBBIN MATERIAL: PA66 A3X2G5(本色)	
				16<L≤63 ±0.3		UL REC. UL 94V-0	
				UNIT: MM		PIN MATERIAL:	
				SCALE:		PIN TENSION LOAD:	
		智信电子塑胶有限公司 ZHI XIN ELECTRONICS PLASTIC CO., LTD. TEL:0769-86389901-2 FAX:0769-86389903				DATE: 2024.03.13	
						DRAWING NO. ZX-C095	
						REV. A01	