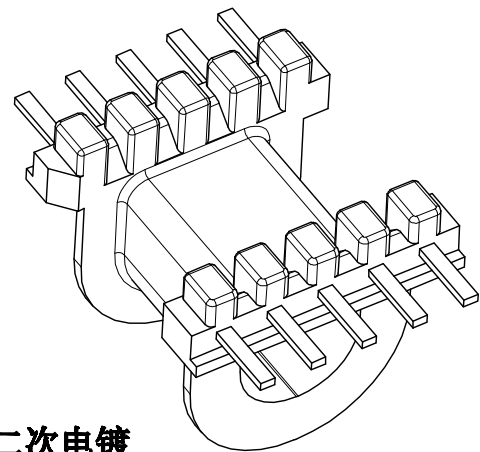
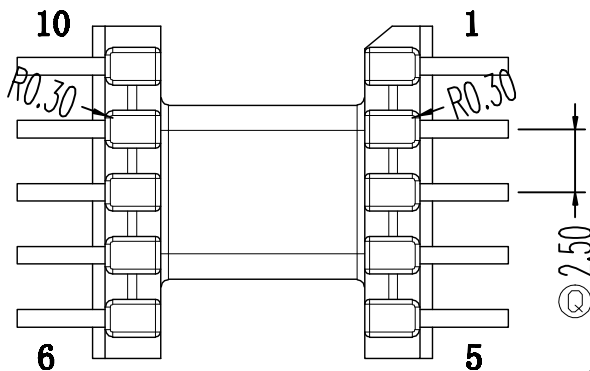
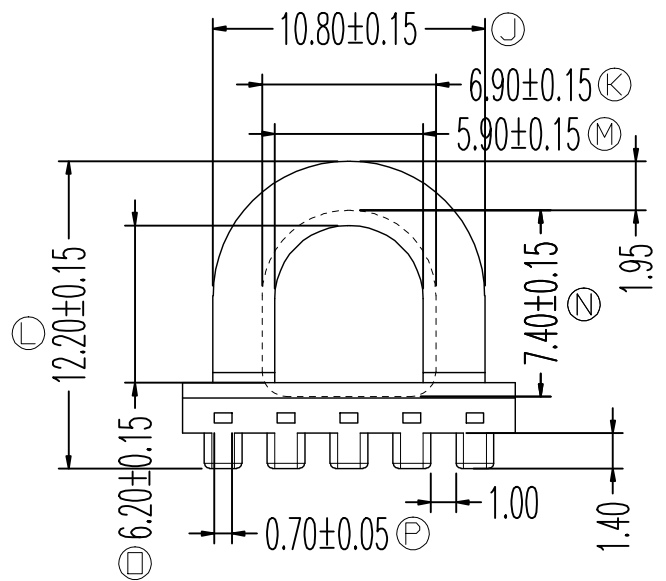
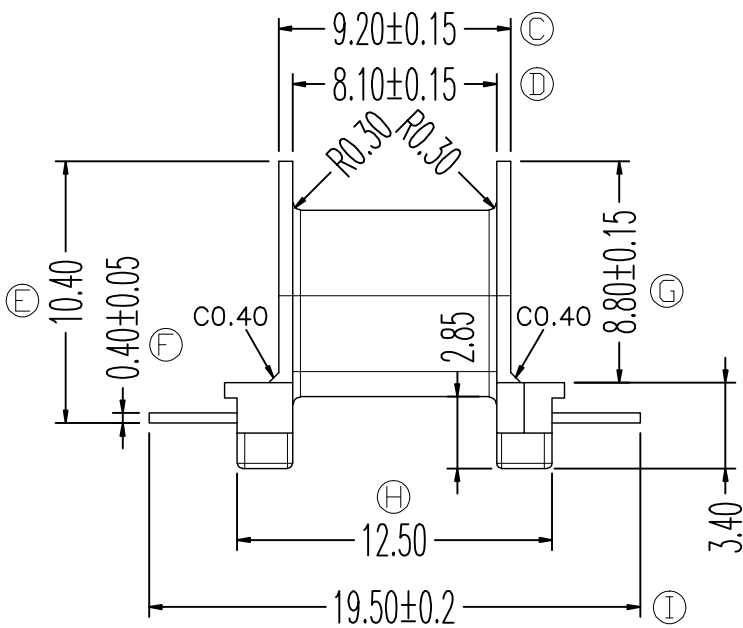
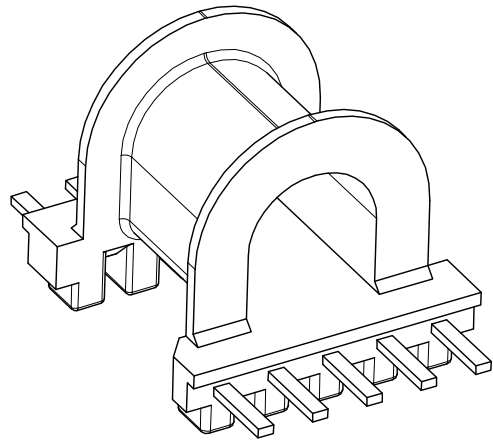
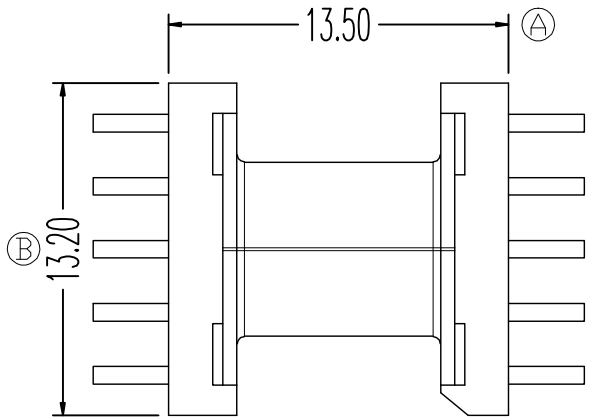


ZXS-13Z1



CP线, 二次电镀

项次	REVISIONS	REC.	DATE	项次	REVISIONS	REC.	DATE
1				4			
2				5			
3				6			
DRAWN & DRAFTED BY	LIU WEI QIANG		TOLERANCES	ANGLE:	TITLE: SMD EPD-13-1(5+5P)		
CHECKED & APPROVED BY	LIN JUN		0<L≤4 ±0.1 4<L≤16 ±0.2 16<L≤63 ±0.3	pin pitch ±0.2	UNIT:	BOBBIN MATERIAL: PM-9630	UL REC. UL 94V-0
智信电子塑胶有限公司				SCALE:	PIN MATERIAL: CP WIRE	PIN TENSION LOAD: 1.0KG MIN	
ZXE ZHI XIN ELECTRONICS PLASTIC CO., LTD.				DATE:	2024.04.24	DRAWING NO. ZXS-13Z1	REV. A01
TEL:0769-86389901-2 FAX:0769-86389903							