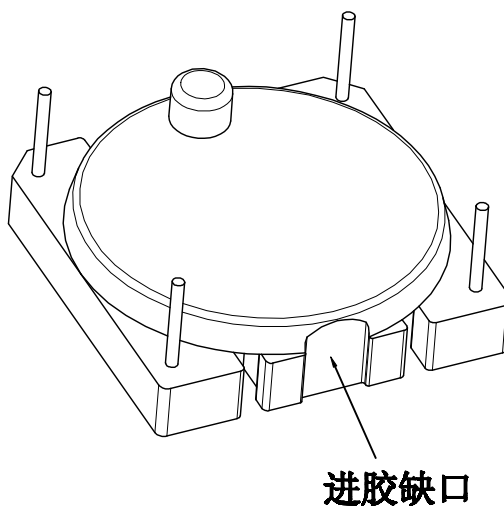
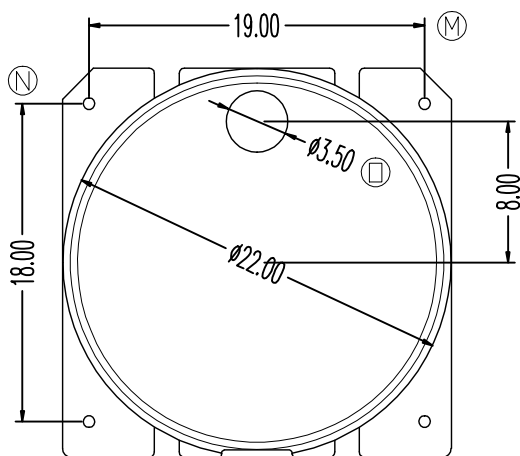
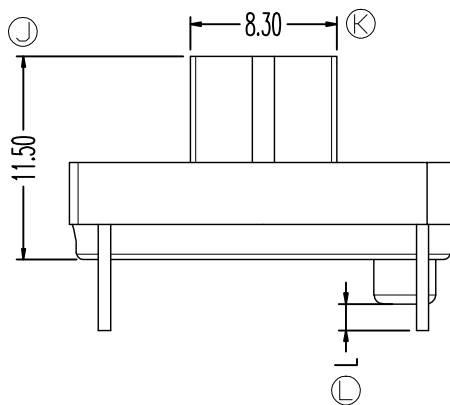
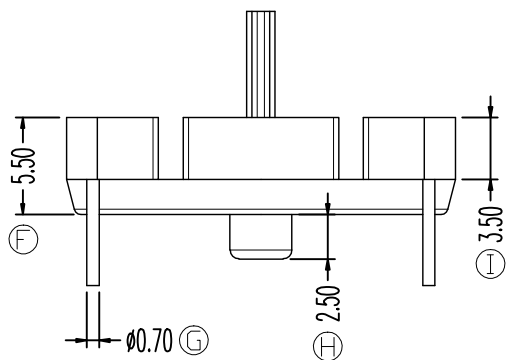
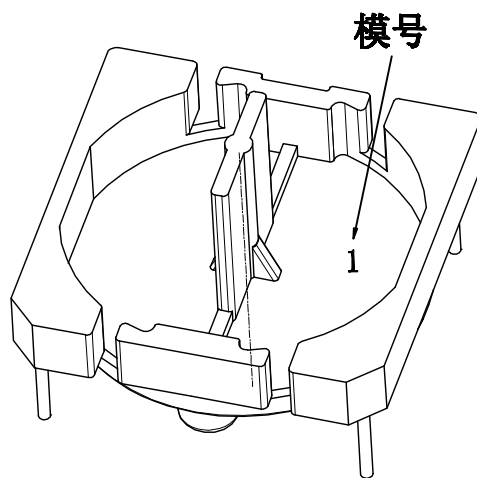
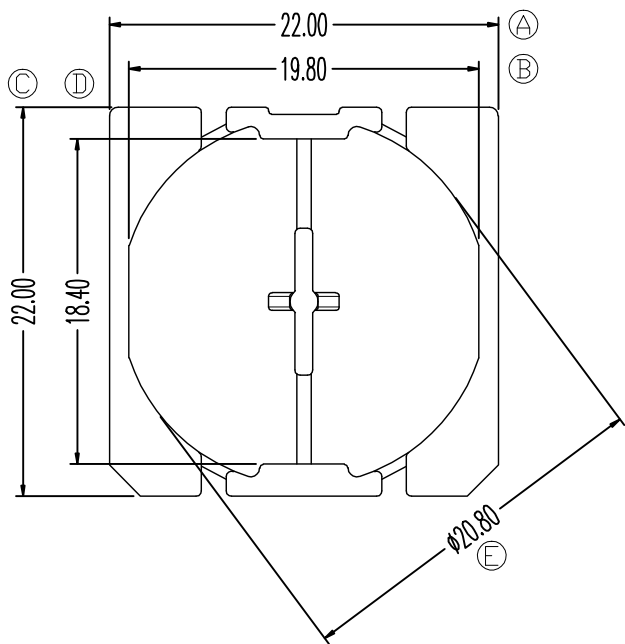


ZX-C097



项次	REVISIONS	REC.	DATE	项次	REVISIONS	REC.	DATE
1				4			
2				5			
3				6			

DRAWN & DRAFTED BY LIU WEI QIANG	TOLERANCES		ANGLE:	TITLE: CASE(4P)			
	0<L≤4 ±0.1	pin pitch ±0.2	±1°	BOBBIN MATERIAL: PHENOLIC		UL REC. UL 94V-0	
CHECKED & APPROVED BY LIN JUN	4<L≤16 ±0.2		UNIT:	MM	PIN MATERIAL: CP WIRE		PIN TENSION LOAD: 1.0KG MIN
SCALE:			DATE: 2024.04.29	DRAWING NO. ZX-C097		REV. A01	

ZXE 智信电子塑胶有限公司
ZHI XIN ELECTRONICS PLASTIC CO., LTD.
 TEL:0769-86389901-2 FAX:0769-86389903