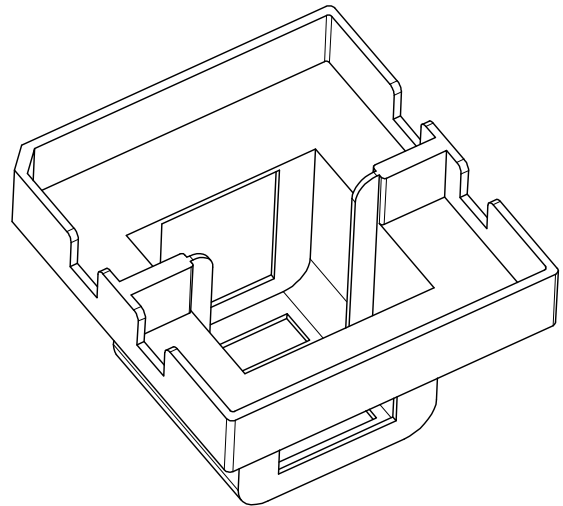
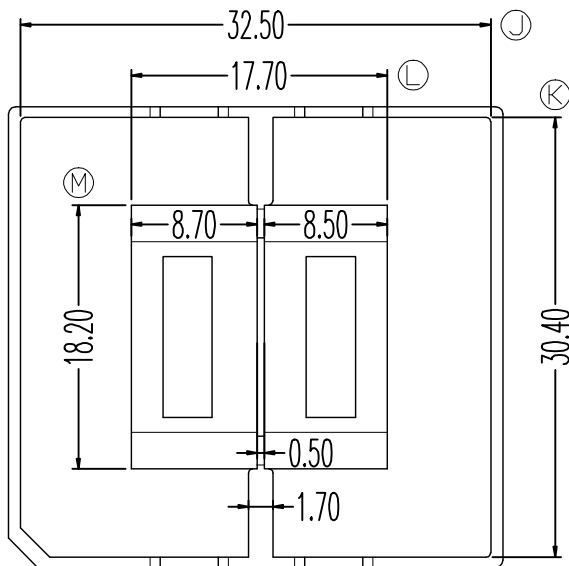
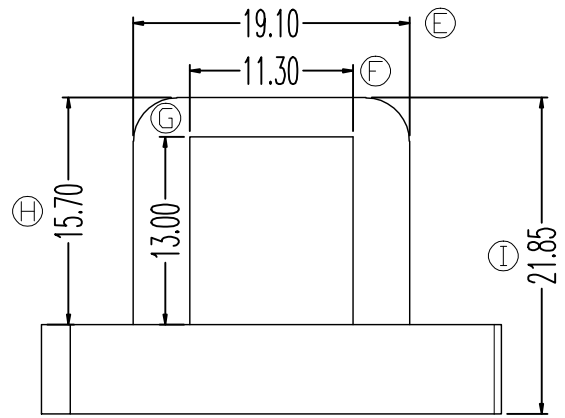
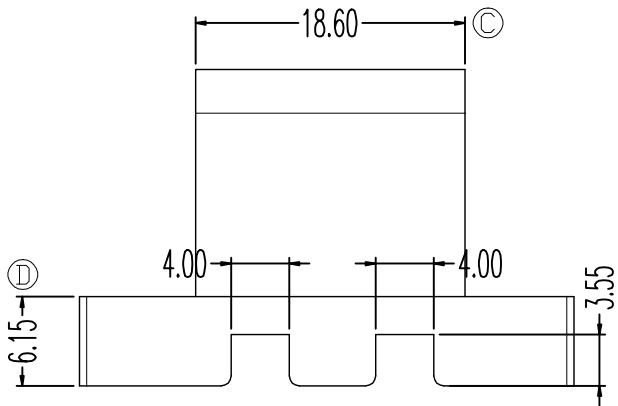
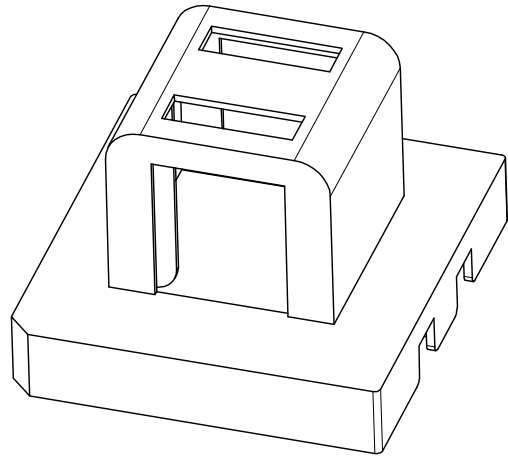
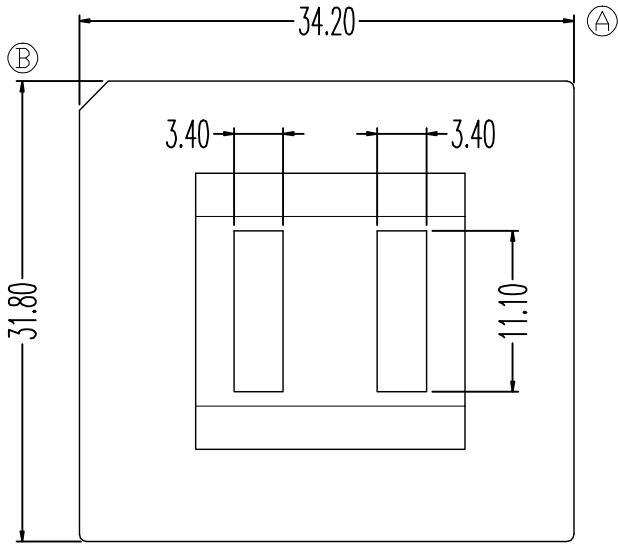


ZX-28AX-1



项次	REVISIONS		REC.	DATE	项次	REVISIONS		REC.	DATE
1					4				
2					5				
3					6				
DRAWN & DRAFTED BY	LIU WEI QIANG		TOLERANCES		ANGLE:	TITLE: ER-28 CASE			
CHECKED & APPROVED BY	LIN JUN		0<L≤4 ±0.1	pin pitch	±1°	BOBBIN MATERIAL: PLASTIC		UL REC. UL 94V-0	
			4<L≤16 ±0.2	±0.2	UNIT: MM	PIN MATERIAL:		PIN TENSION LOAD:	
			16<L≤63 ±0.3		SCALE:	DATE: 2024.05.14		DRAWING NO. ZX-28AX-1	
智信电子塑胶有限公司 ZHI XIN ELECTRONICS PLASTIC CO., LTD. TEL:0769-86389901-2 FAX:0769-86389903					REV. A01				