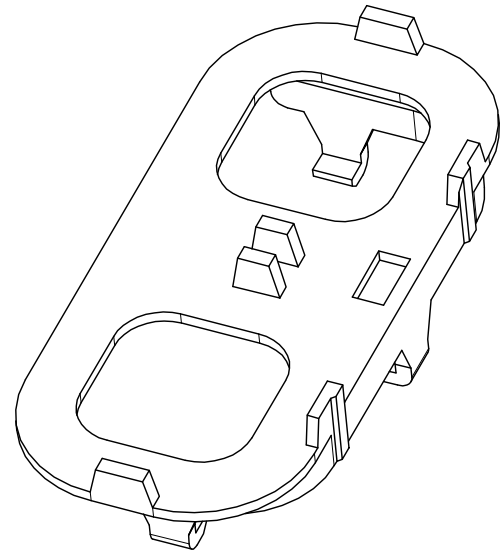
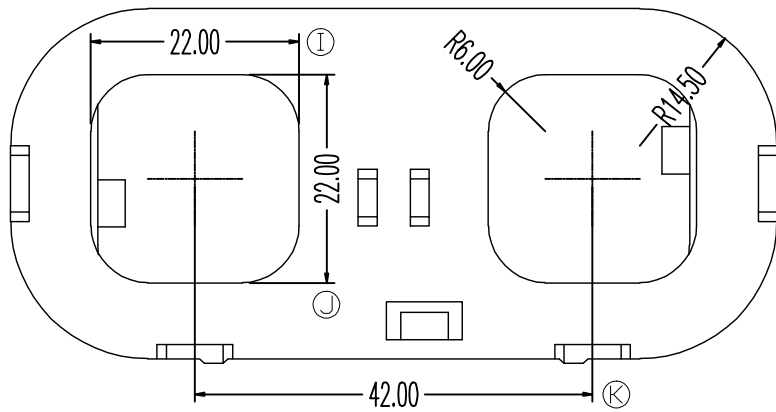
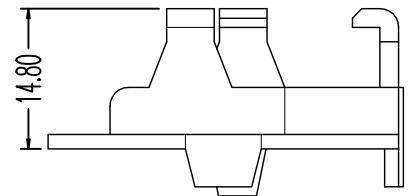
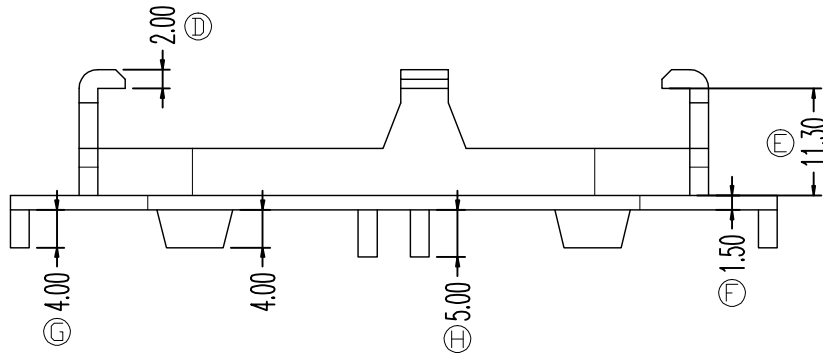
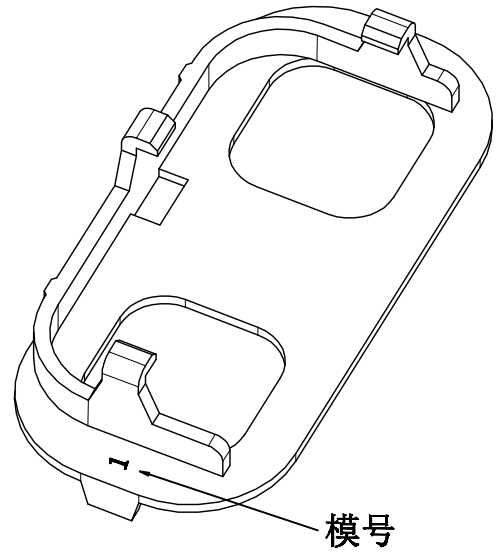
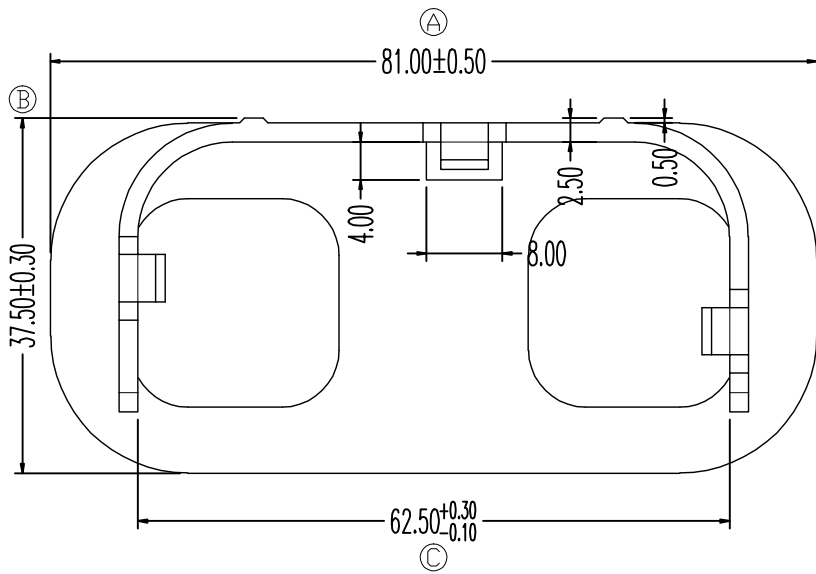


ZX-B177



项次	REVISIONS	REC.	DATE	项次	REVISIONS	REC.	DATE
1				4			
2				5			
3				6			
DRAWN & DRAFTED BY	LIU WEI QIANG		TOLERANCES	ANGLE:	TITLE: 0618037360		
CHECKED & APPROVED BY	LIN JUN		0<L≤4 ±0.1 4<L≤16 ±0.2 16<L≤63 ±0.3	±1°	BOBBIN MATERIAL:	ET-1530(BK)	UL REC. UL 94V-0
智信电子塑胶有限公司			pin pitch ±0.2	UNIT:	MM	PIN MATERIAL:	PIN TENSION LOAD:
ZXE ZHI XIN ELECTRONICS PLASTIC CO., LTD.			SCALE:	DATE:	2024.05.06	DRAWING NO.	ZX-B177
TEL:0769-86389901-2 FAX:0769-86389903							REV. A01