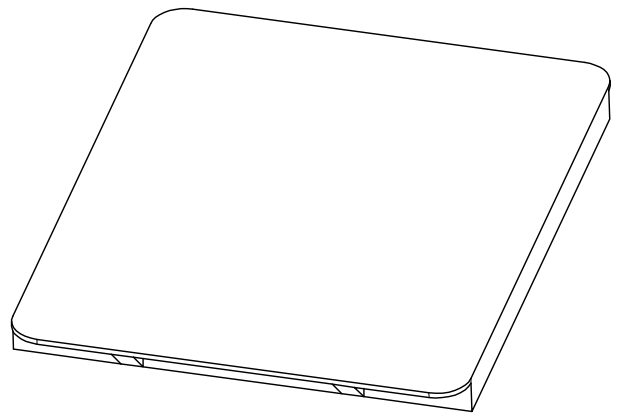
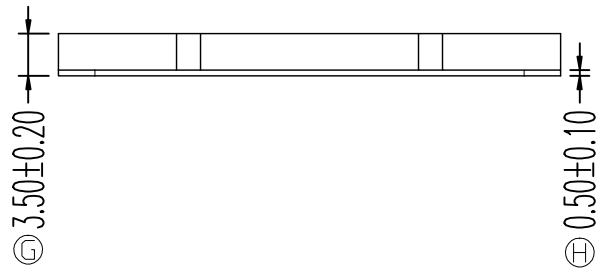
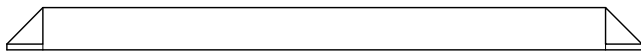
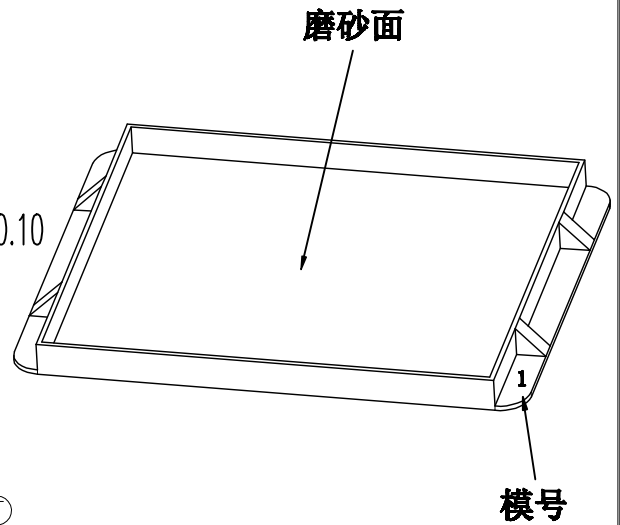
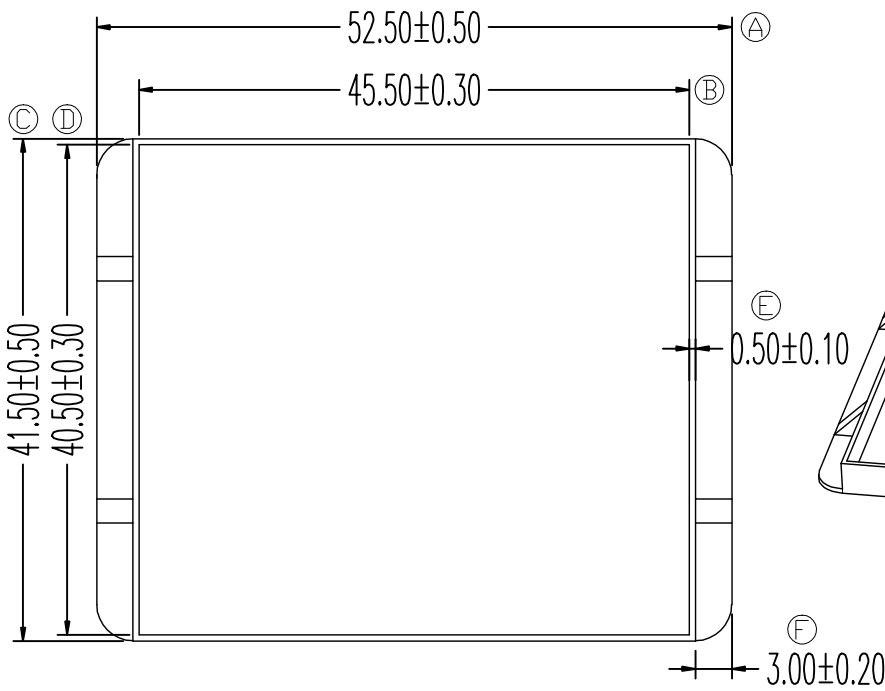


ZX-B179



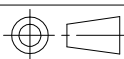
平贴度0.50mm MAX

REV.	REVISIONS	REC.	DATE	REV.	REVISIONS	REC.	DATE
1				4			
2				5			
3				6			
DRAWN & DRAFTED BY		LIU WEI QIANG		TOLERANCES		ANGLE:	
CHECKED & APPROVED BY		LIN JUN		0<L≤4 ±0.1		±1°	
				4<L≤16 ±0.2		UNIT:	
				16<L≤63 ±0.3		MM	
				pin pitch ±0.2		BOBBIN MATERIAL:	
						FR530(米黄色)	
						UL REC. UL 94V-0	
						PIN TENSION LOAD:	
				SCALE:		PIN MATERIAL:	
				DATE:		DRAWING NO.	
				2024.06.01		ZX-B179	
						REV. A01	



智信电子塑胶有限公司

ZHI XIN ELECTRONICS PLASTIC CO., LTD.  
TEL:0769-86389901-2 FAX:0769-86389903



DATE: 2024.06.01

DRAWING NO. ZX-B179

REV. A01