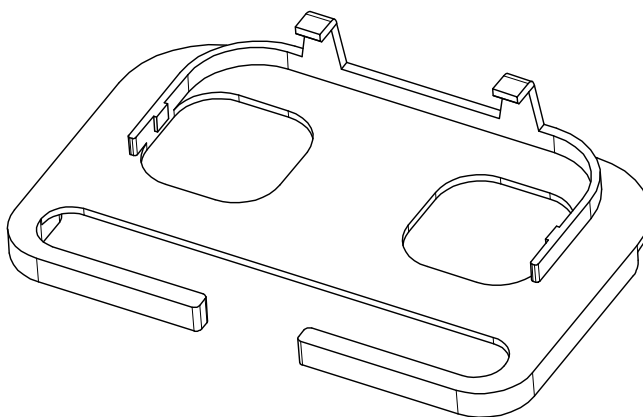
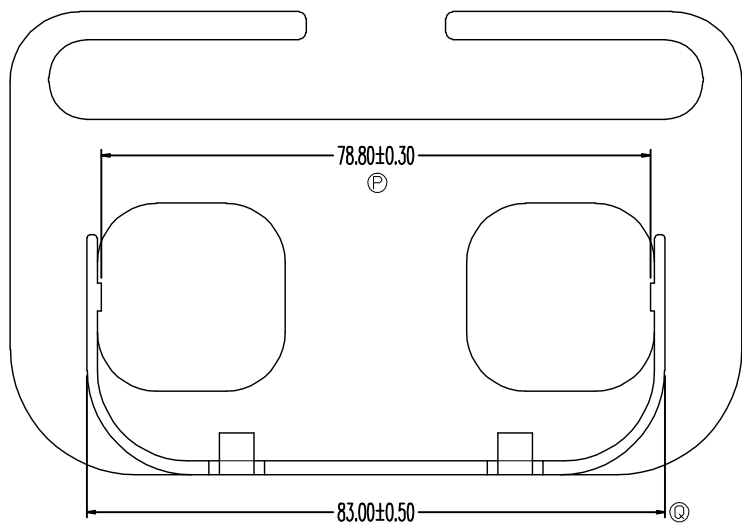
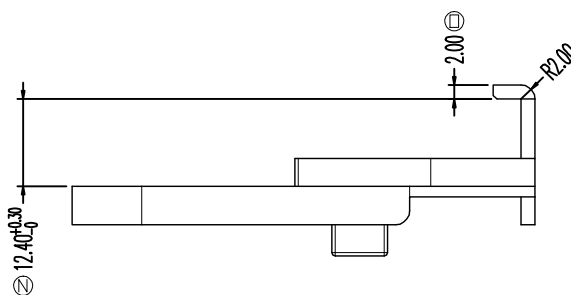
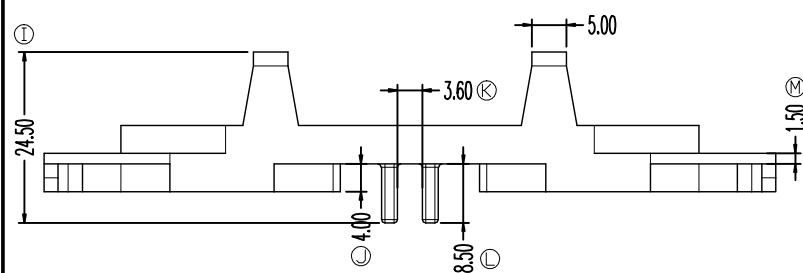
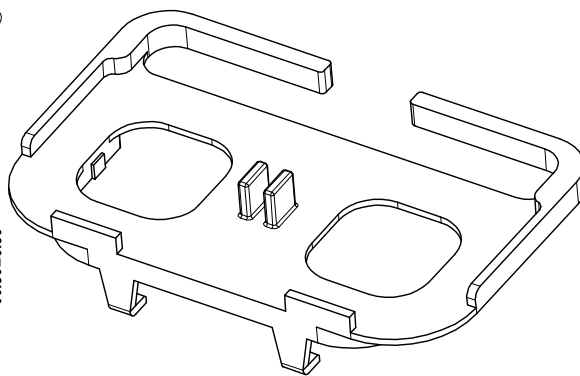
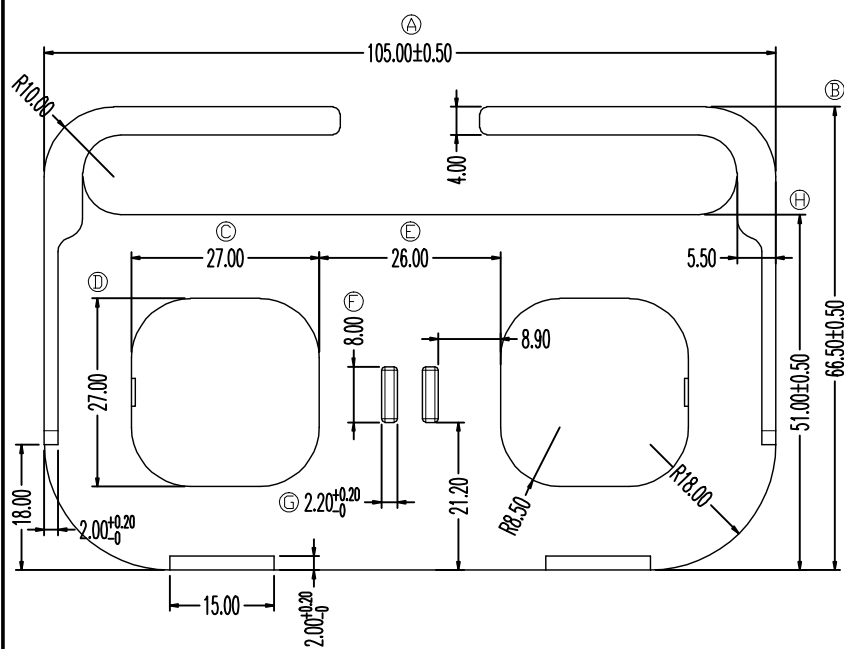


ZX-B182



REV.	REVISIONS	REC.	DATE	REV.	REVISIONS	REC.	DATE
1				4			
2				5			
3				6			

DRAWN & DRAFTED BY LIU WEI QIANG	TOLERANCES		ANGLE: ±1°	TITLE: 0618052060 BASE			
	0<L≤4 ±0.1	pin pitch ±0.2	UNIT: MM	BOBBIN MATERIAL: ET-1530(BK)	UL REC. UL 94V-0		
CHECKED & APPROVED BY LIN JUN	4<L≤16 ±0.2		SCALE:	PIN MATERIAL:	PIN TENSION LOAD:		
智信电子塑胶有限公司 ZHI XIN ELECTRONICS PLASTIC CO., LTD. TEL:0769-86389901-2 FAX:0769-86389903			DATE: 2024.06.28	DRAWING NO. ZX-B182	REV. A01		