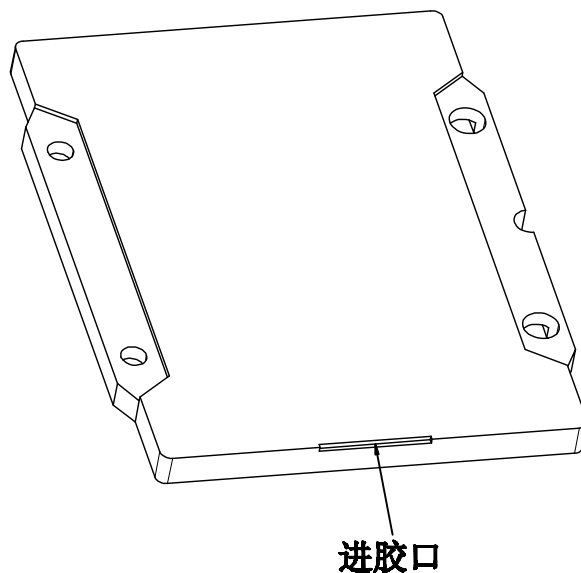
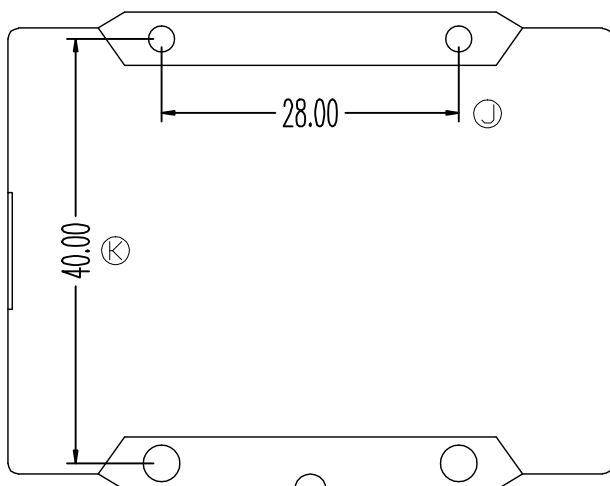
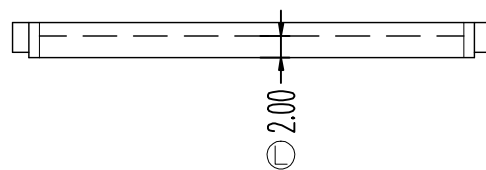
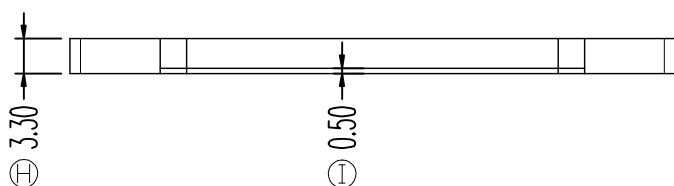
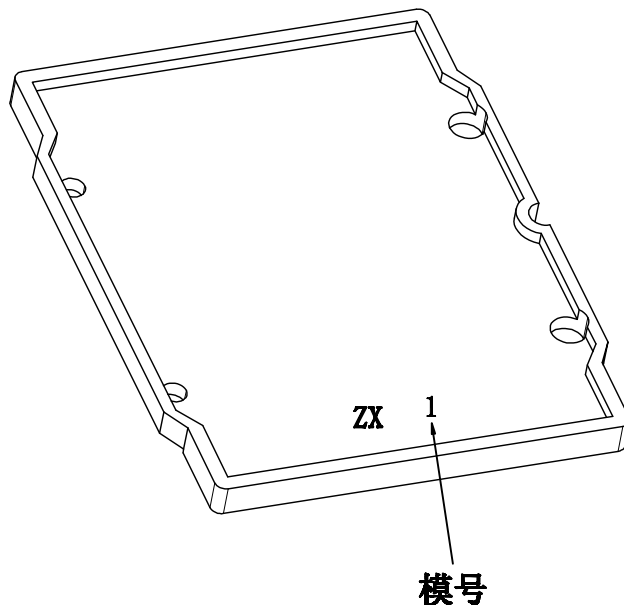
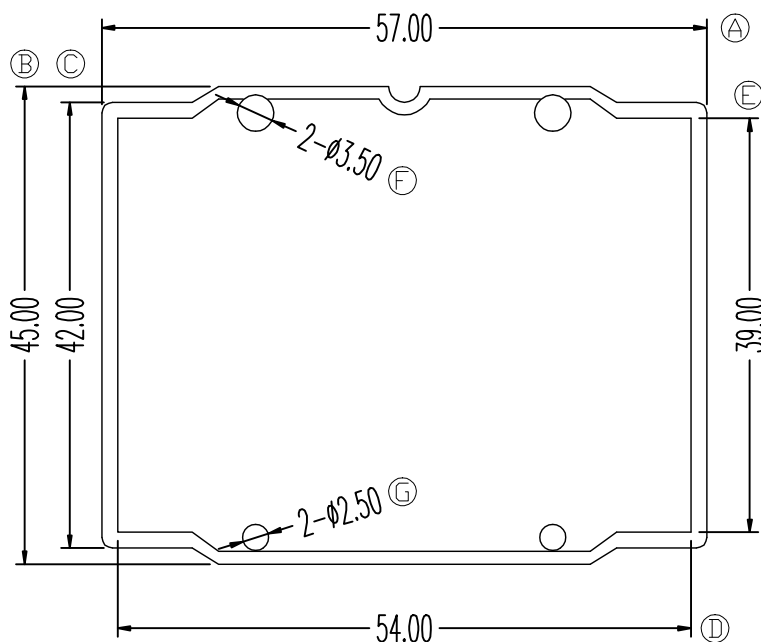


ZX-B183



REV.	REVISIONS	REC.	DATE	REV.	REVISIONS	REC.	DATE		
1				4					
2				5					
3				6					
DRAWN & DRAFTED BY		LIU WEI QIANG		TOLERANCES		ANGLE: $\pm 1^\circ$		TITLE: PQ53 DZ	
CHECKED & APPROVED BY		LIN JUN		$0 < L \leq 4 \pm 0.1$ $4 < L \leq 16 \pm 0.2$ $16 < L \leq 63 \pm 0.3$		pin pitch $\pm 0.2$		UNIT: MM	
				BOBBIN MATERIAL: PM-9823		UL REC. UL 94V-0		PIN TENSION LOAD:	
智信电子塑胶有限公司				SCALE:		PIN MATERIAL:		DATE: 2024.07.22	
ZXE ZHI XIN ELECTRONICS PLASTIC CO., LTD.				DRAWING NO. ZX-B183		REV. A01		TEL: 0769-86389901-2 FAX: 0769-86389903	