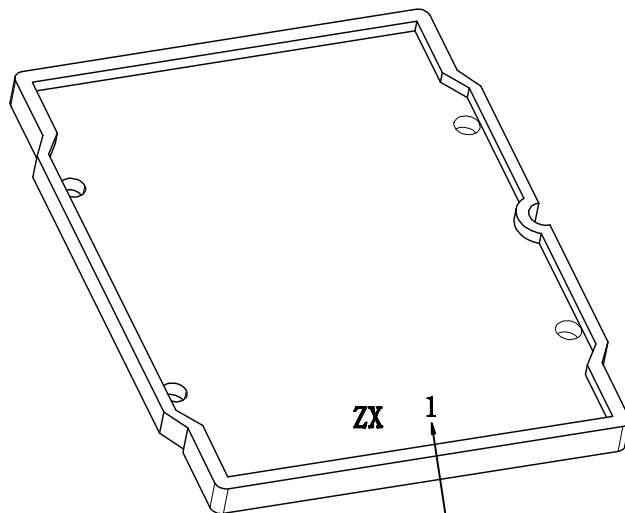
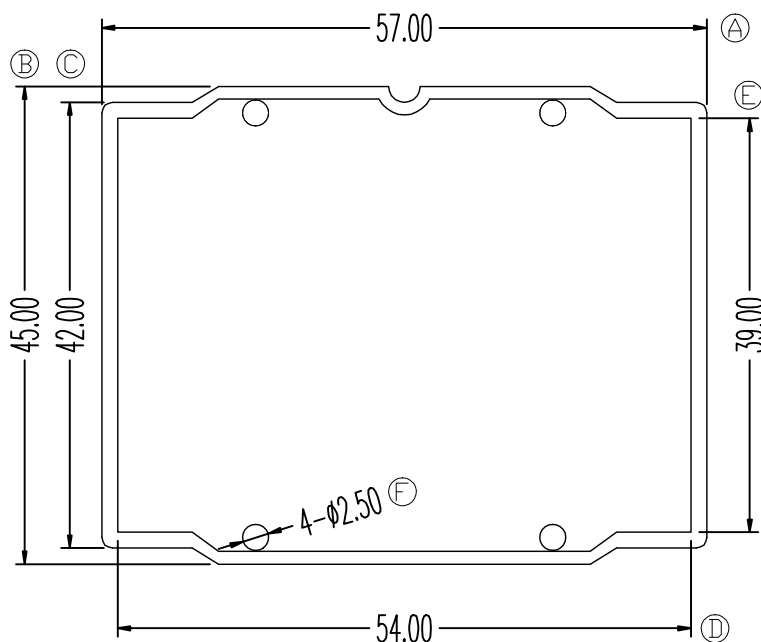
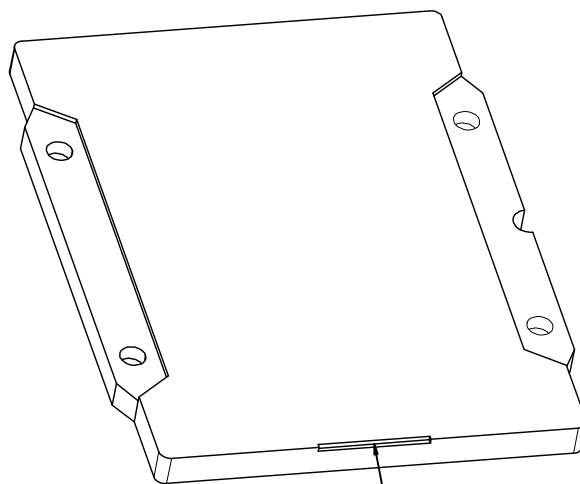
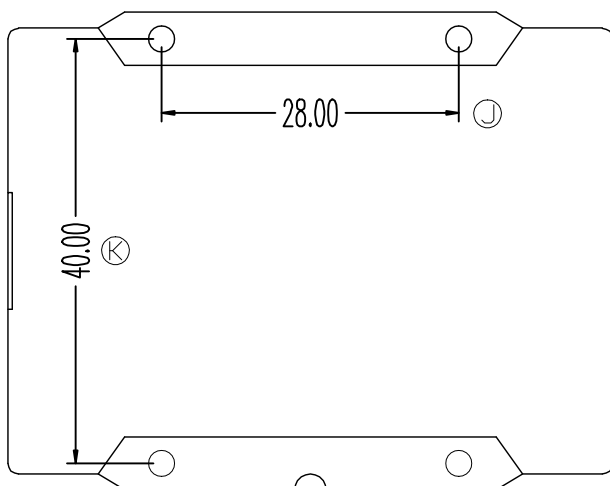
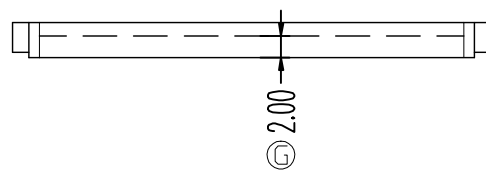
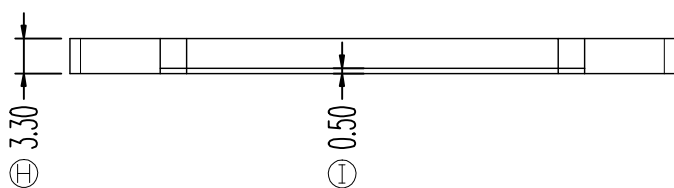


ZX-B183-1



模号



进胶口

REV.	REVISIONS	REC.	DATE	REV.	REVISIONS	REC.	DATE
1				4			
2				5			
3				6			
DRAWN & DRAFTED BY	LIU WEI QIANG		TOLERANCES	ANGLE:	TITLE: PQ53 DZ		
CHECKED & APPROVED BY	LIN JUN		0<L≤4 ±0.1 4<L≤16 ±0.2 16<L≤63 ±0.3	UNIT:	BOBBIN MATERIAL:	UL REC. UL 94V-0	
			pin pitch ±0.2	MM	PM-9823	PIN TENSION LOAD:	
智信电子塑胶有限公司			SCALE:	PIN MATERIAL:	DATE: 2024.07.22		
ZXE ZHI XIN ELECTRONICS PLASTIC CO., LTD.					DRAWING NO. ZX-B183-1	REV. A01	
TEL:0769-86389901-2 FAX:0769-86389903							