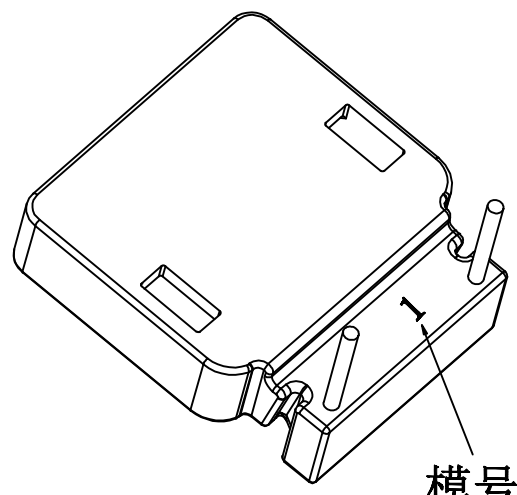
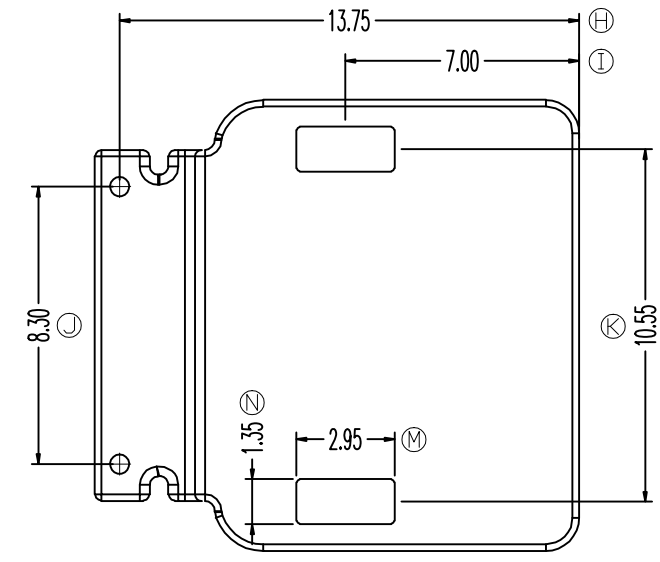
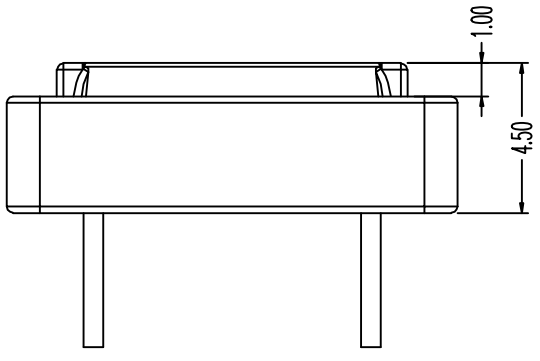
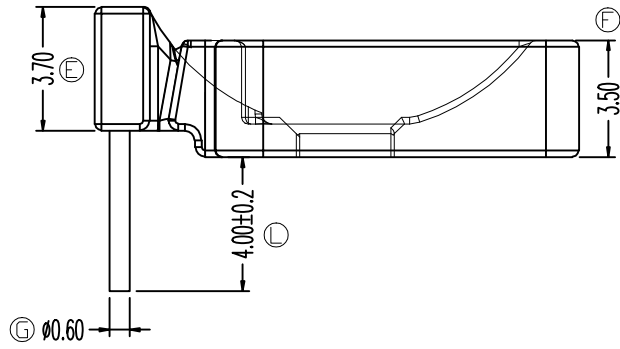
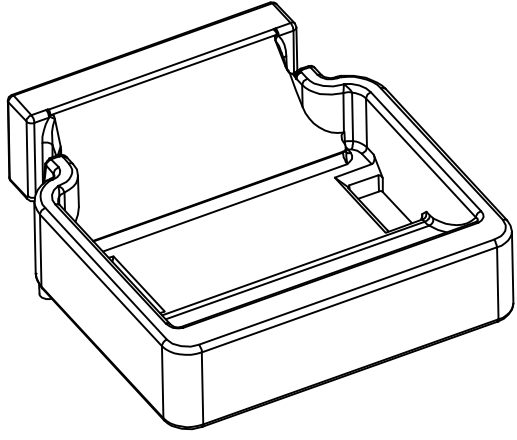
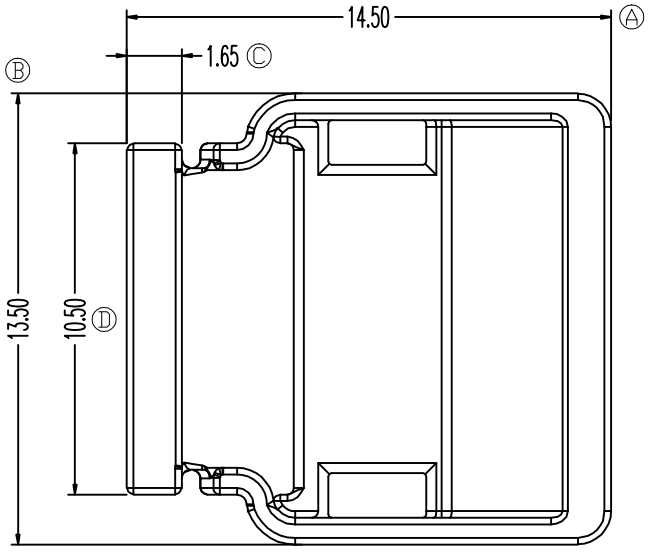


ZX-B184



模号

项次	REVISIONS	REC.	DATE	项次	REVISIONS	REC.	DATE
1				4			
2				5			
3				6			
DRAWN & DRAFTED BY	LIU WEI QIANG		TOLERANCES	ANGLE:	TITLE: SRT-T-785A 底座		
CHECKED & APPROVED BY	LIN JUN		0<L≤4 ±0.1 4<L≤16 ±0.2 16<L≤63 ±0.3	±1°	BOBBIN MATERIAL:	UL REC. UL 94V-0	
			pin pitch ±0.2	UNIT: MM	PIN MATERIAL:	CP WIRE	
				SCALE:	DATE:	DRAWING NO.	PIN TENSION LOAD: 0.8KG MIN
智信电子塑胶有限公司 ZHI XIN ELECTRONICS PLASTIC CO., LTD. TEL:0769-86389901-2 FAX:0769-86389903					2024.07.30	ZX-B184	REV. A01