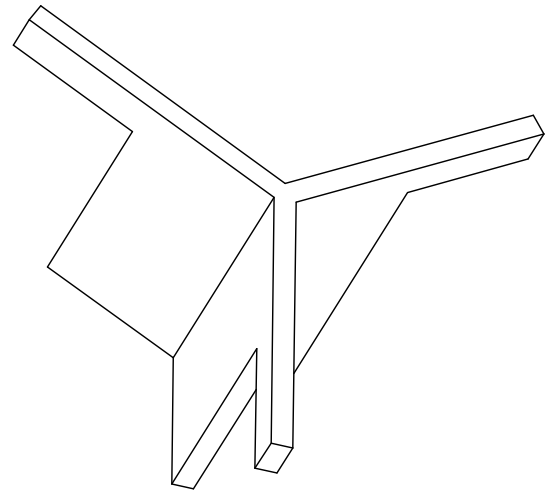
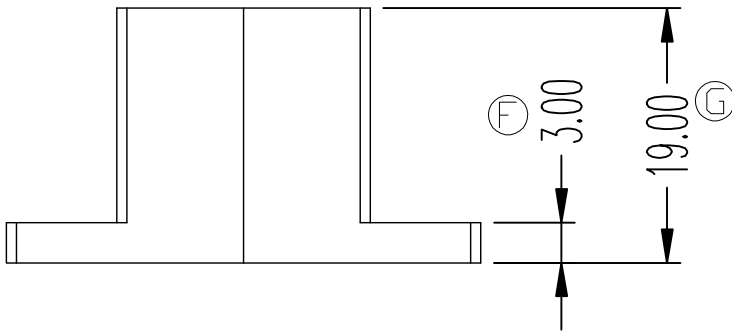
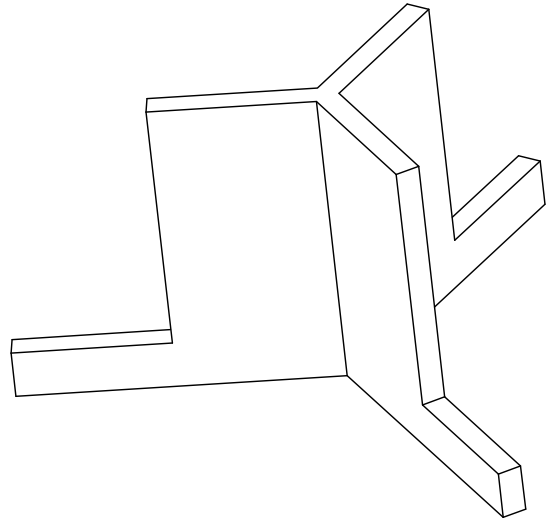
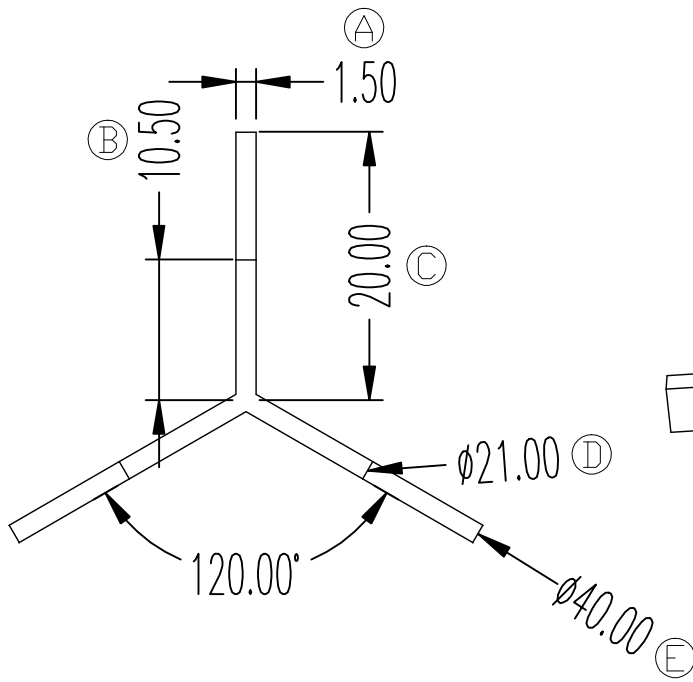


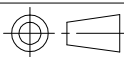
ZX-C074-1



REV.	REVISIONS	REC.	DATE	REV.	REVISIONS	REC.	DATE		
1				4					
2				5					
3				6					
DRAWN & DRAFTED BY		LIU WEI QIANG		TOLERANCES		ANGLE: ±1°		TITLE: CASE隔板	
CHECKED & APPROVED BY		XIONG GONG		0<L≤4 ±0.1 4<L≤16 ±0.2 16<L≤63 ±0.3		pin pitch ±0.2		BOBBIN MATERIAL: PBT4130白色	
				UNIT: MM		SCALE:		UL REC. UL 94V-0	
				DATE: 2024.08.01		DRAWING NO. ZX-C074-1		PIN TENSION LOAD:	
				REV. A01					



智信电子塑胶有限公司
ZHI XIN ELECTRONICS PLASTIC CO., LTD.
 TEL:0769-86389901-2 FAX:0769-86389903



DATE: 2024.08.01 DRAWING NO. ZX-C074-1 REV. A01