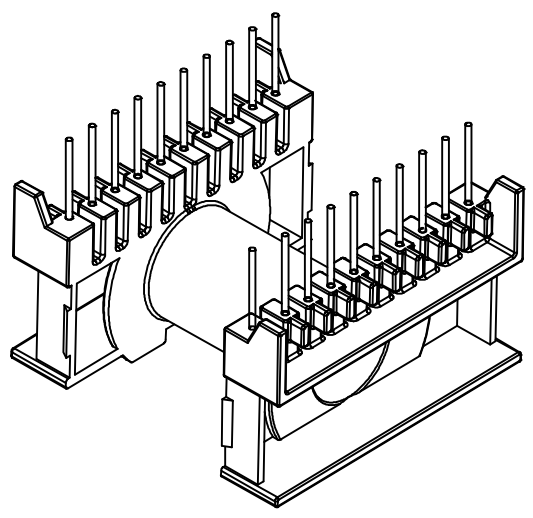
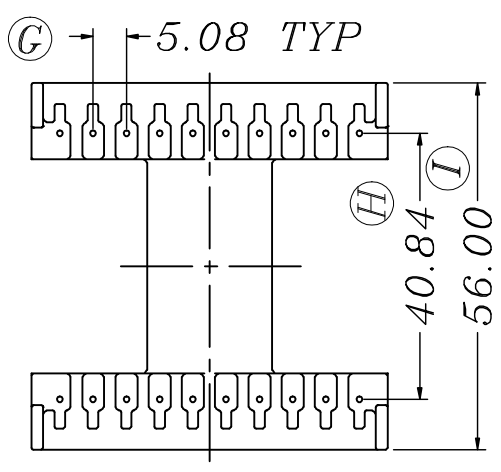
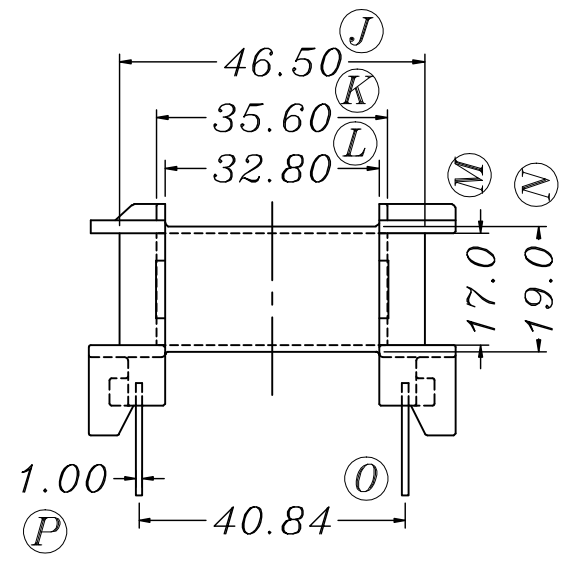
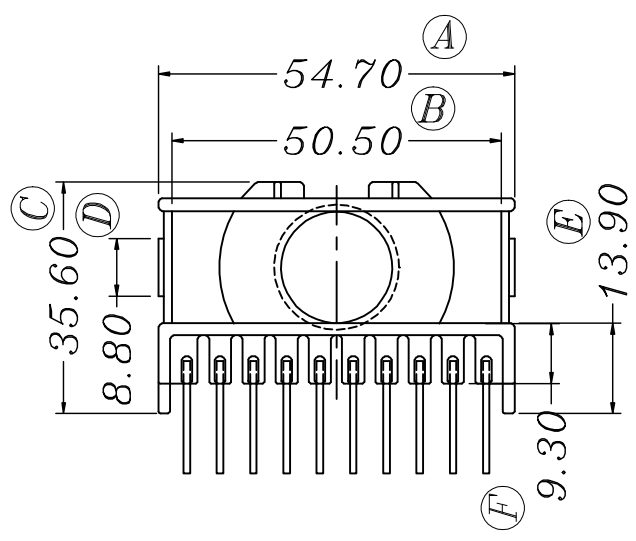
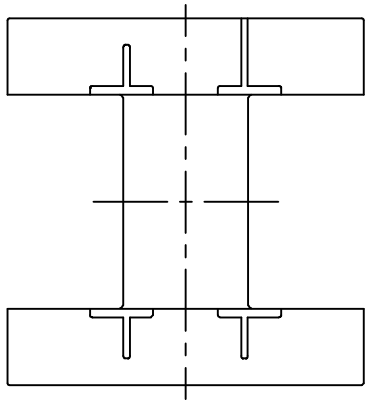


ZX-49A



REV.	REVISIONS	REC.	DATE	REV.	REVISIONS	REC.	DATE
1	排距尺寸H, 0由40.64改为40.84mm		2021.10.29	4			
2				5			
3				6			

DRAWN & DRAFTED BY	LIU WEI QIANG	TOLERANCES		ANGLE: ±1°	TITLE: ETD-49(10+10P)		
		0<L≤4 ±0.1	pin pitch		BOBBIN MATERIAL: PHENOLIC	UL REC. UL 94V-0	
CHECKED & APPROVED BY	ZHANG YONG	4<L≤16 ±0.2	±0.2	UNIT: MM	PIN MATERIAL: CP WIRE	PIN TENSION LOAD: 1.5KG MIN	
智信电子塑胶有限公司 ZHI XIN ELECTRONICS PLASTIC CO., LTD. TEL:0769-86389901-2 FAX:0769-86389903				SCALE:	DATE: 2021.10.29	DRAWING NO. ZX-49A	REV. A02