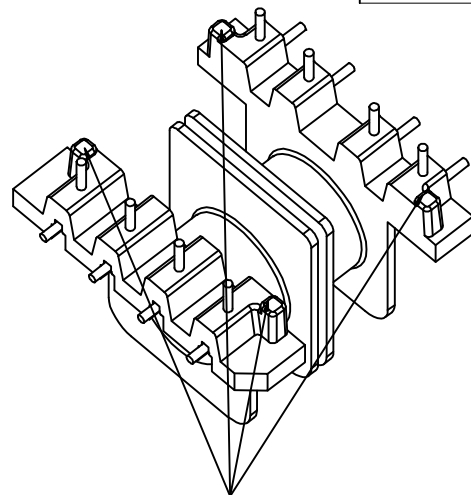
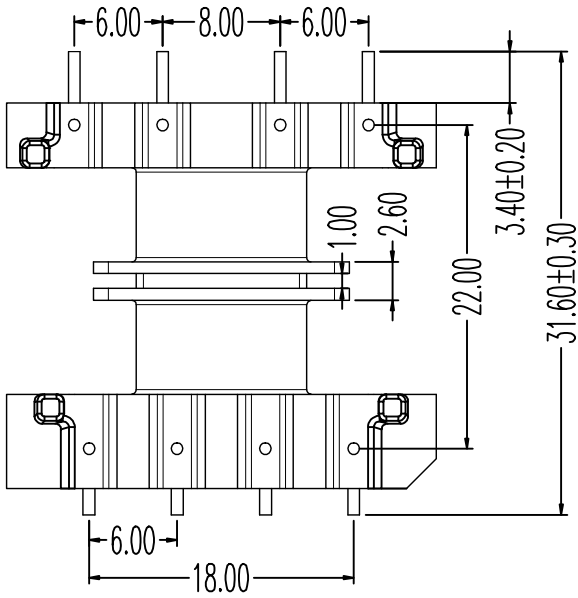
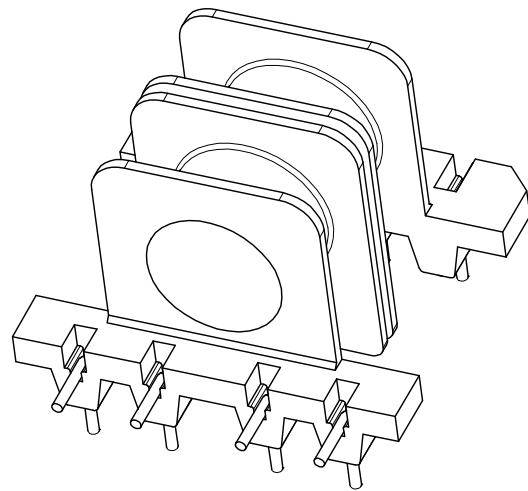
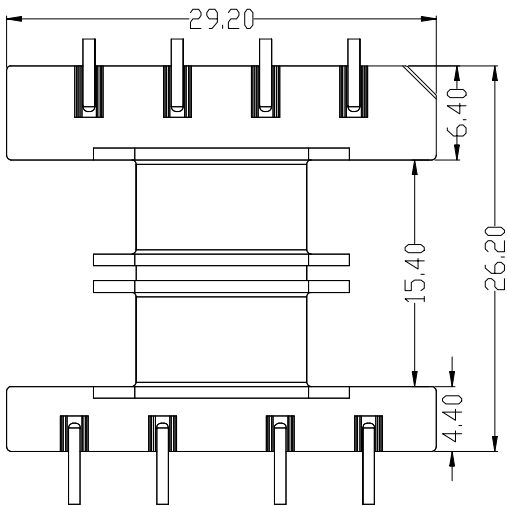
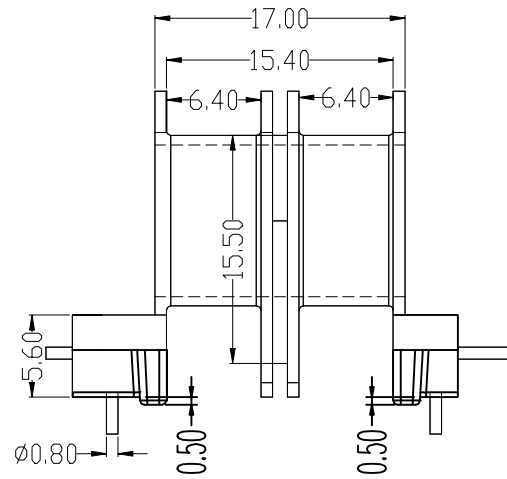
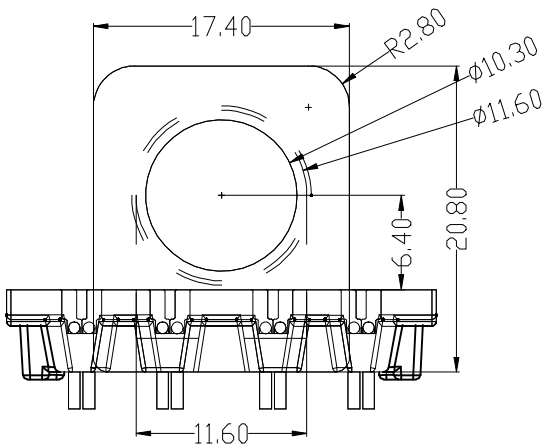


ZX-28AX



增加4个0.50mm高凸点



项次	REVISIONS	REC.	DATE	项次	REVISIONS	REC.	DATE
1	增加4个0.50mm高凸点		2024.10.12	4			
2				5			
3				6			
DRAWN & DRAFTED BY	LIU WEI QIANG	TOLERANCES		ANGLE:	TITLE: ER-28(4+4P)		
CHECKED & APPROVED BY	LIN JUN	0<L≤4 ±0.1	pin pitch	UNIT:	BOBBIN MATERIAL:	UL REC. UL 94V-0	
		4<L≤16 ±0.2	±0.2	MM	PHENOLIC		
		16<L≤63 ±0.3		SCALE:	PIN MATERIAL:	PIN TENSION LOAD: 1.2KG MIN	
智信电子塑胶有限公司 ZHI XIN ELECTRONICS PLASTIC CO., LTD. TEL:0769-86389901-2 FAX:0769-86389903				DATE:	2024.10.12	DRAWING NO.	ZX-28AX
						REV.	A02